

INSULBRICK ICF 200

Manufacturers Specifications

Insulbrick Notes

N1 Minimum compressive strength of concrete used in walls construction shall be 32MPa @ 28days.

N2 For walls up to 3.4 metre height vertical reinforcement in wall shall be N12 (central) at maximum 5000mm (S) centres (u.n.o) and at the end span (0.85 x S), as well as wall ends, door & window jambs, and intersecting bracing walls.

N3 All bars shall be 600mm cogs, above bond beam bars.

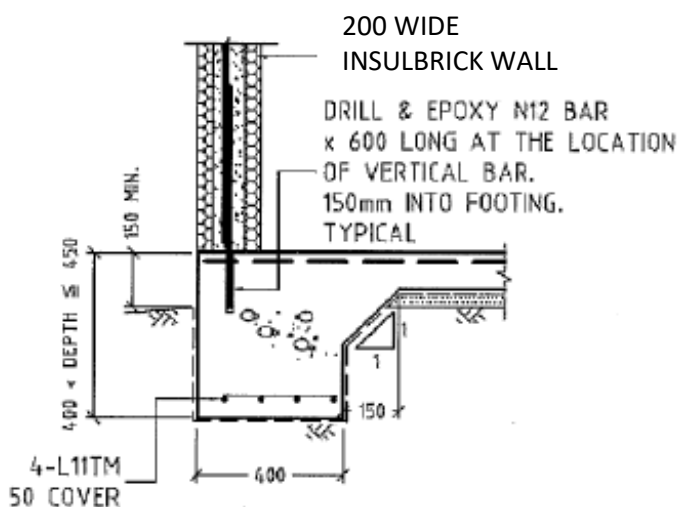
N4 Top course of all external walls shall have 1-N12 longitudinal bar bond beam.
(500mm minimum lap length)

N5 Top & bottom reinforcement for lintel shall be 500mm minimum pass opening, the top reinforcement shall be lapped at 500mm minimum with bond beam reinforcement (if applicable).

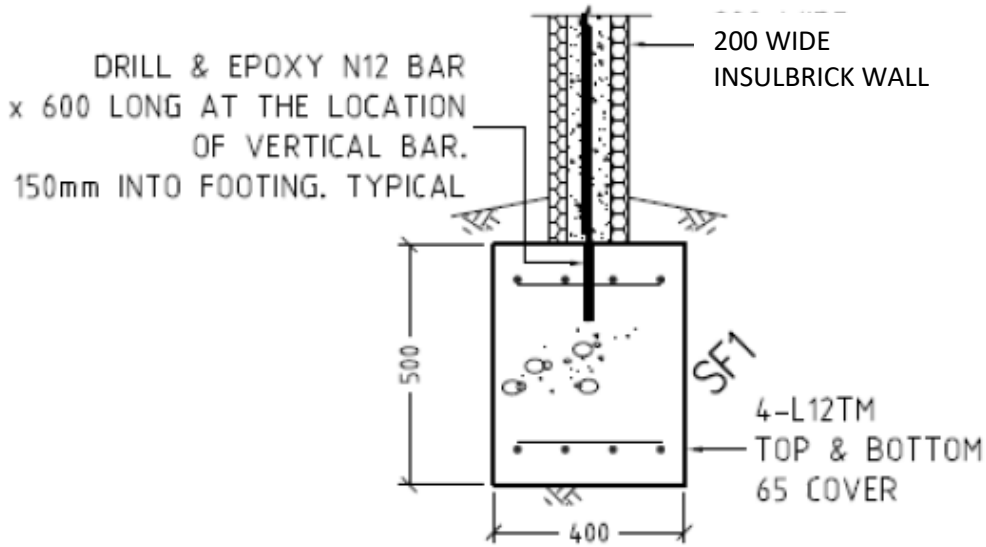
N6 Provide 1 – N12 longitudinal bar (500mm minimum lap length).
30mm top cover, to the following configuration of window sills (u.n.o),
- The bottom of the opening is located at more than 1000mm height above Finish Floor Level, or
- The opening is more than 1500mm wide.

N7 Provide starter bars from footing at location of vertical bars.

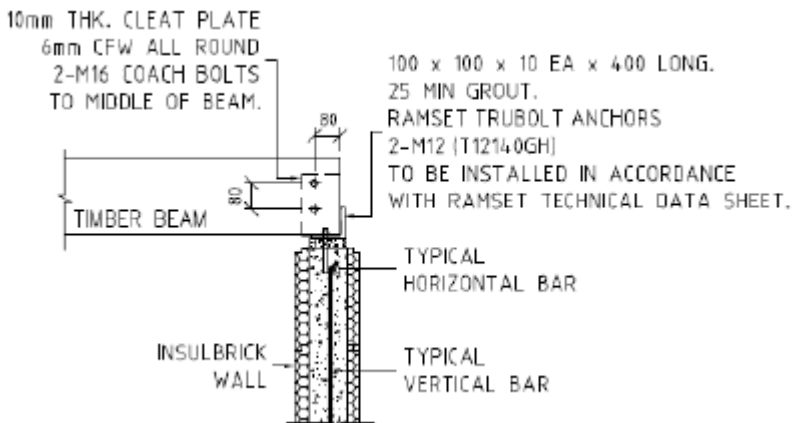
N8 Backing filling, where applicable, against reinforced Insulbrick walls shall not occur until wall has attained design strength (28 days).



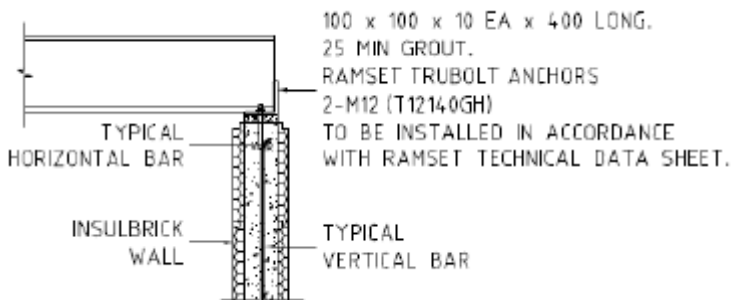
TYPICAL INSULBRICK ICF 200 TO SLAB SECTION



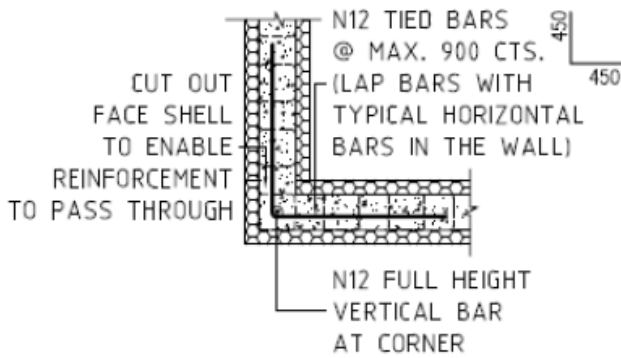
TYPICAL STRIP FOOTING SF1



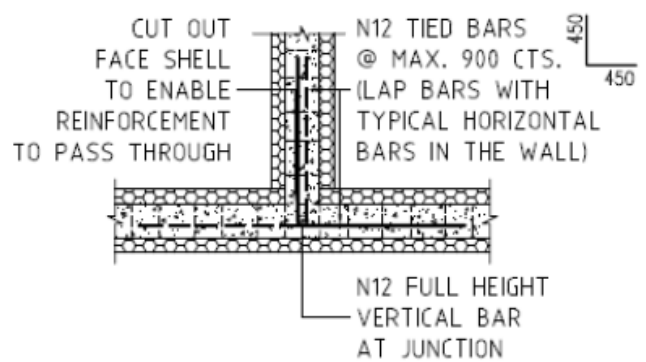
TYPICAL TIMBER BEAM – INSULBRICK ICF 200 WALL DETAILS



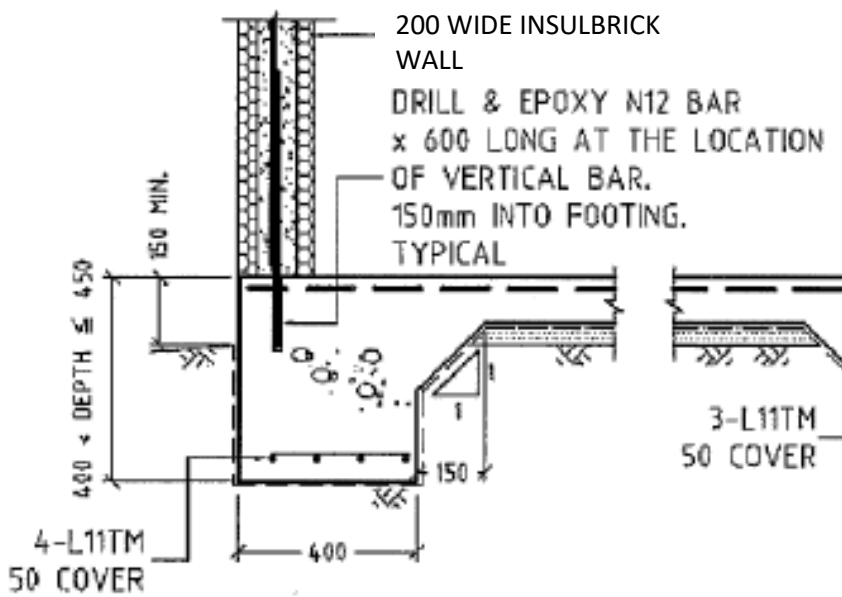
TYPICAL STEEL BEAM – INSULBRICK ICF 200 WALL DETAILS



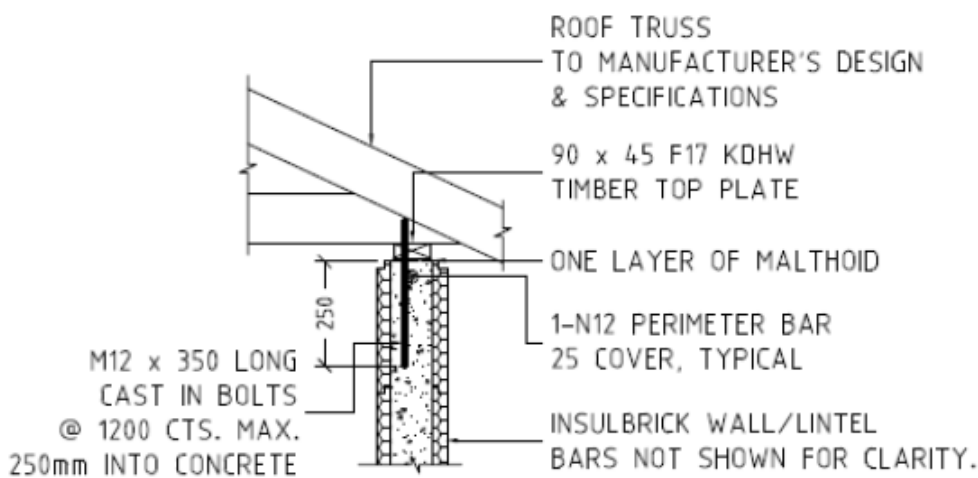
TYPICAL WALL – CORNER DETAILS



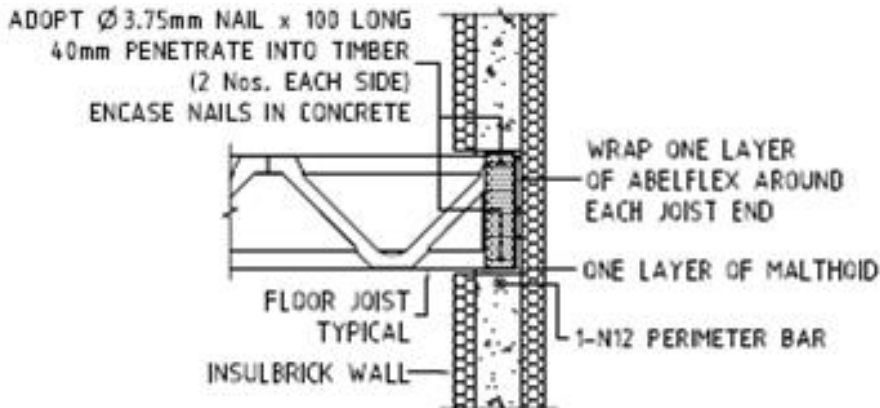
TYPICAL WALL – JUNCTION DETAILS



TYPICAL POSI-STRUT TO INSULBRICK ICF 200 WALL

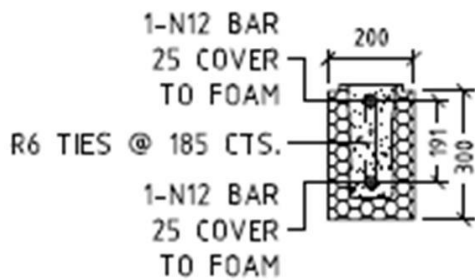


TYPICAL ROOF TIE-DOWN DETAIL



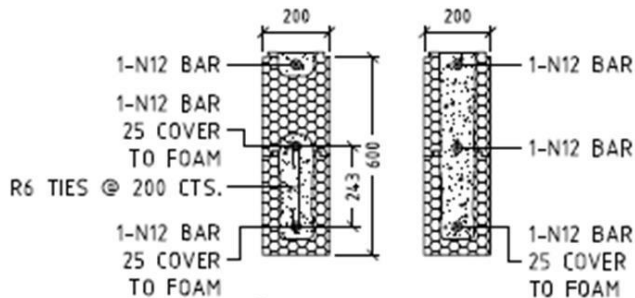
TYPICAL FLOOR JOIST – INSULBRICK WALL DETAILS

TYPICAL SOLID JOISTS – INSULBRICK WALL SIMILAR



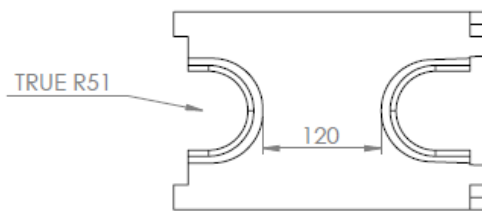
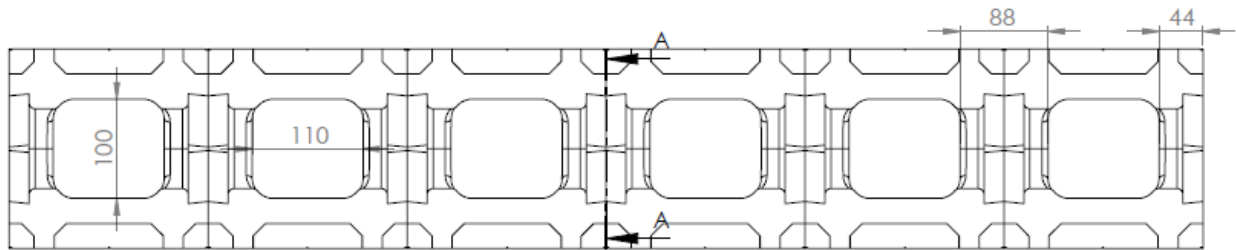
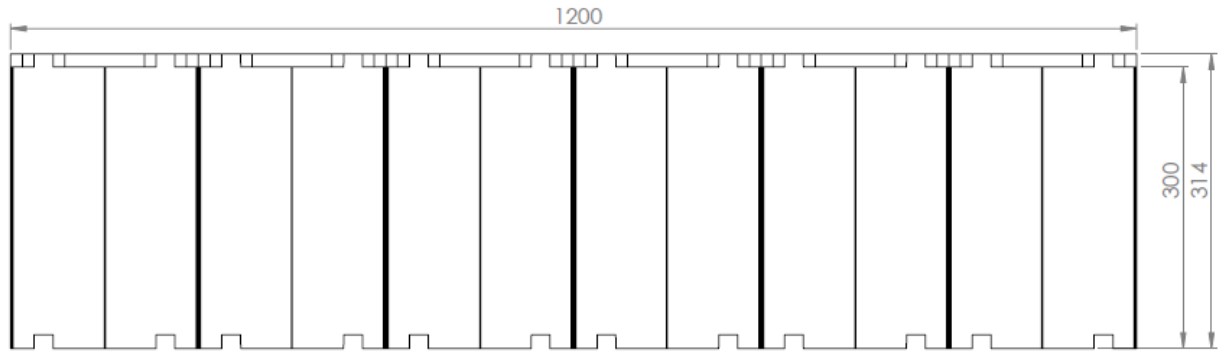
STANDARD LINTEL DETAIL 300MM HEIGHT – INSULBRICK ICF 200

Note- refer to span tables for ligature spacing

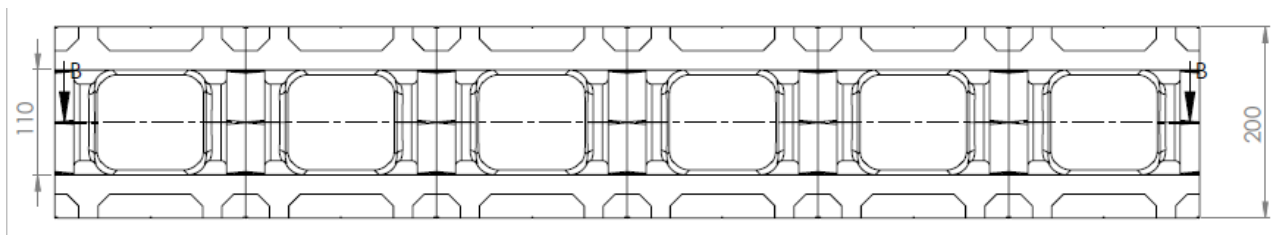


STANDARD LINTEL DETAIL 600MM HEIGHT – INSULBRICK ICF 200

Note- refer to span tables for ligature spacing



SECTION A-A
SCALE 1 : 5



the insulating brick company Pty Ltd
4/9 chapel street lynbrook vic 3975 australia
abn 64 097 760 659 phone 1300 655 177
enquiries@insulbrick.com.au www.insulbrick.com.au

insulbrick ICF 